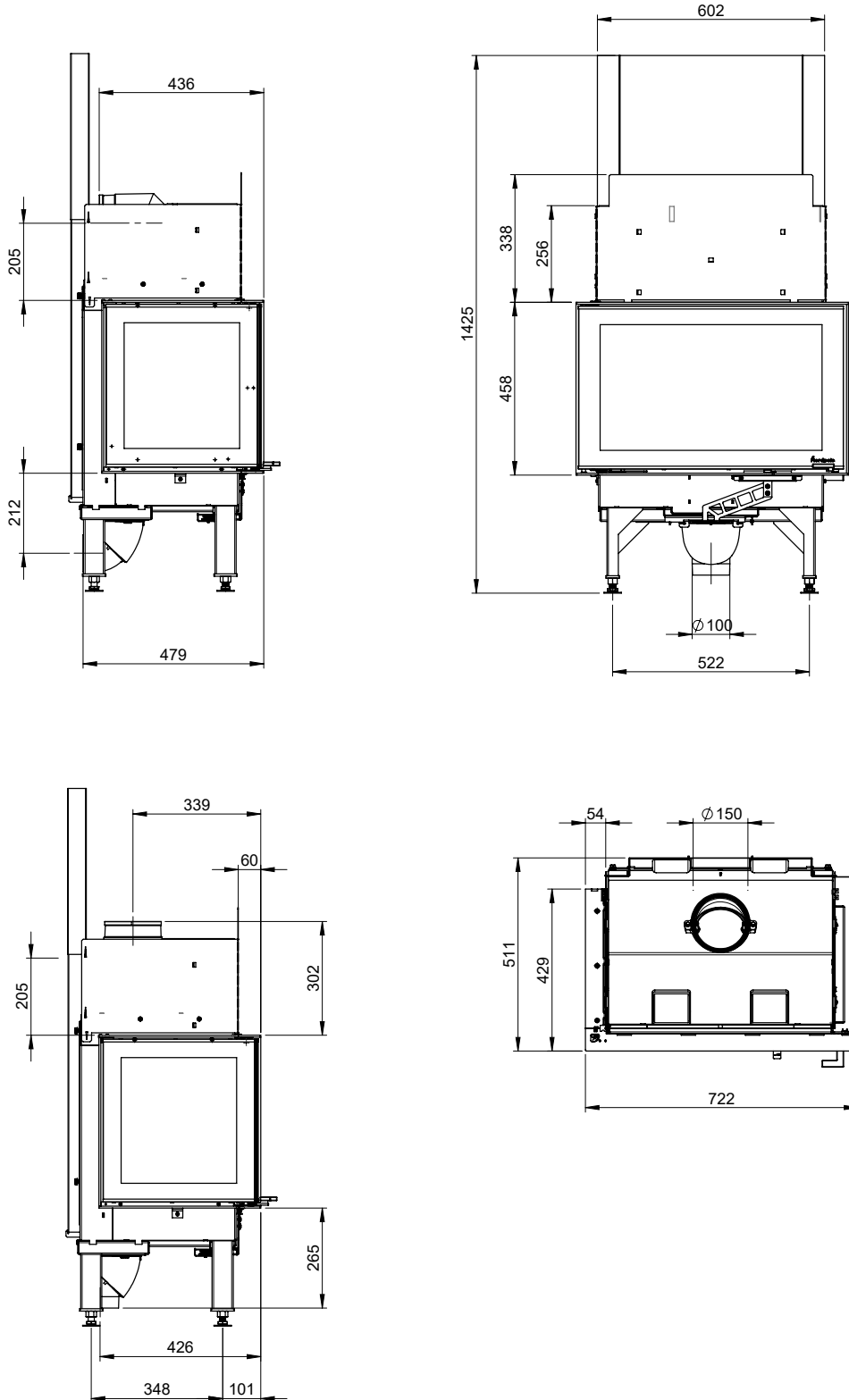


# Measurements

N-29A



N-29AL = MM/AIR/CHIMNEY



# Measurements

N-29A



N-29AR = MM/AIR/CHIMNEY

